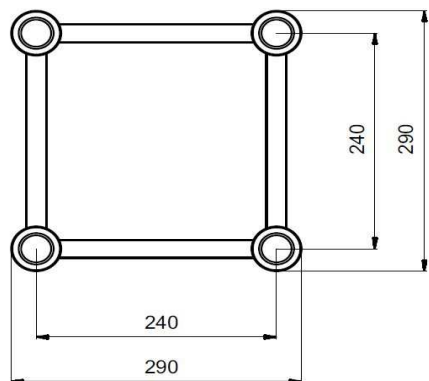


alutruss QUADLOCK S6082 4-Way Cross Beam



Size in millimeters

Material used:

Alloy	EN-AW 6082 T6 (AlSi1MgMn)
Main chords	50 x 2 mm
Braces	16 x 2 mm
Accessory/truss	4x connecting cone, 8x pivot, 8x pin
Item No.	60302895

System components (straights):		
Designation	No.	Weight (kg)
QUADLOCK S6082- 210	60306410	2,8
QUADLOCK S6082- 290	60306412	3,2
QUADLOCK S6082- 500	60306413	4,1
QUADLOCK S6082- 710	60306415	5,0
QUADLOCK S6082- 750	60306418	5,2
QUADLOCK S6082- 875	60306421	5,7
QUADLOCK S6082- 1000	60306422	6,2
QUADLOCK S6082- 1250	60306424	7,3
QUADLOCK S6082- 1500	60306426	8,4
QUADLOCK S6082- 2000	60306428	10,6
QUADLOCK S6082- 2500	60306432	12,7
QUADLOCK S6082- 3000	60306436	14,9
QUADLOCK S6082- 3500	60306438	17,1
QUADLOCK S6082- 4000	60306440	19,2
QUADLOCK S6082- 4500	60306442	21,4
QUADLOCK S6082- 5000	60306443	23,5

Load tabelle QUADLOCK S6082:				
Span (m)	Point load (kg)	Deflection (mm)	UDL (kg/m)	Deflection (mm)
2	1664	2,6	1655	3,2
4	832	10,3	416	12,9
6	555	23,3	185	29,1
8	416	41,4	104	51,7
10	332	64,6	66	80,8
12	277	93,0	46	116,3
14	238	126,6	34	158,3
16	208	165,4	27	206,8

Maximum system length: 16 meters

The load capacities given in this load table are based on calculations in accordance with EUROCODE 9 and do not include the net weight of the product. This load table is valid only for linear segments of the cross beam system ALUTRUS QUADLOCK S6082 4-Way Cross Beam.

This product has been designed for static loads only. No dynamic loads. If dynamic loads are to be attached to the system, the user has to provide appropriate proof.

Loads are to be attached only to the intersections of the braces and main chords. That applies to loads distributed over the carrier length too.

The cross beams and connectors must be checked for damages and deformations before each use.

For BS and ANSI compliance multiply the given capacities with 0.85.

