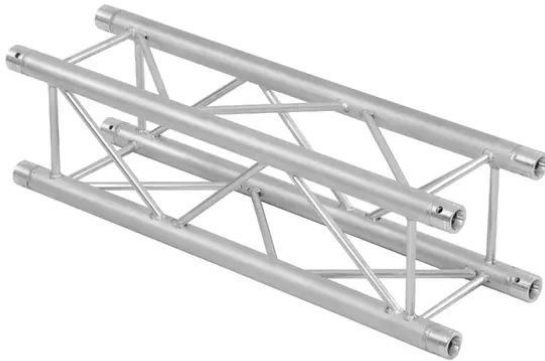


Completion set QUADLOCK 6082 1500mm

4-point truss system

Art. No.: 09003507

GTIN:



Completion set QUADLOCK 6082 1500mm

4-point truss system

Art. No.: 09003507

GTIN:

Features:

- Strong EN-AW 6082 alloy for high loads
- High-quality aluminum-tubes with 50 mm in diameter
- Low weight
- Distance center - center: 240 mm
- Easy installation
- Trusspipe: 50 mm
- TÜV Süd certified
- For application areas such as: Theater; Trade fair and shop fitting; clubs/dancing school
- For further information about this product, please refer to the Data Sheet under "Downloads"