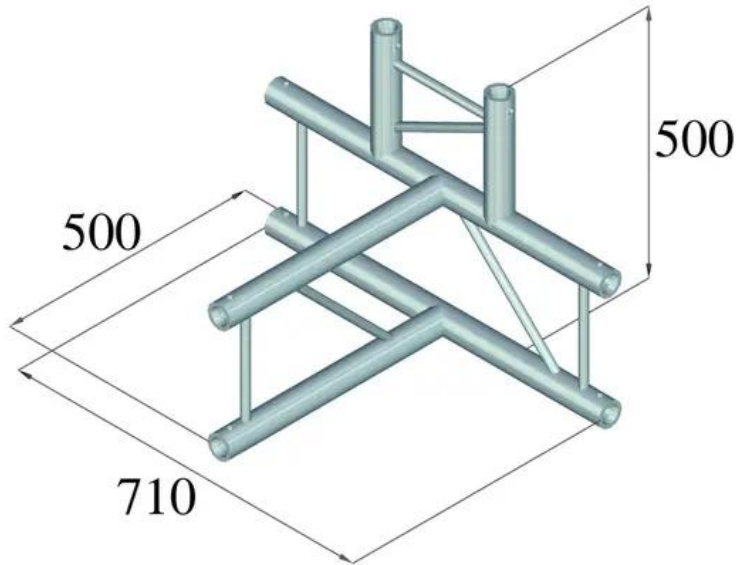


ALUTRUSS BILOCK BQ2-PAT42V 4-way T-Piece

2-point truss system

Art. No.: 60210261

GTIN: 4026397221169



Features:

- High-quality aluminum-tubes with 50 mm in diameter
- Low weight
- Easy installation
- Direction vertical
- Trusspipe: 50 mm
- Made in Europe
- For application areas such as: Theater; Trade fair and shop fitting; clubs/dancing school

Logistic

EAN / GTIN: 4026397221169

Weight: 5,30 kg

Length: 0.70 m

Width: 0.54 m

Height: 0.50 m

Technical specifications:

Setup: Easy installation

Trusspipe: 50 mm x 2 mm

Welding technique: TIG-welding

Welding material: AlMg 5

Alloy: AlSi1MgMn

Color: Alu colored

Strut diameter x thickness: 16 x 2mm

Dimensions: Length: 71 cm

Width: 50 cm

Height: 50 cm

Weight: 5 kg

Scope of delivery:

3 x connection set