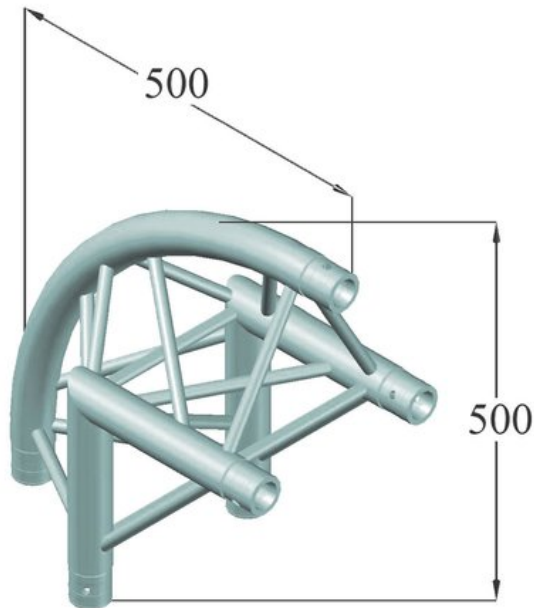


ALUTRUSS TRILOCK 6082AC-24R 2-Way Corner 90° Λ

3-point truss system

Art. No.: 60302432

GTIN: 4026397559941



List price: 362.95 €

incl. 19% VAT.

Features:

- Strong EN-AW 6082 alloy for high loads
- Low weight
- Easy installation
- Trusspipe: 50 mm
- Made in Europe
- For application areas such as: Theater; Trade fair and shop fitting; Clubs/dancing school

Logistic

EAN / GTIN: 4026397559941

Weight: 4,85 kg

Length: 0.51 m

Width: 0.51 m

Height: 0.32 m

Technical specifications:

Setup: Easy installation

Trusspipe: 50 mm x 2 mm

Color: Alu colored

Strut diameter x thickness: 16 x 2mm

Dimensions: Length: 50 cm
Width: 50 cm
Height: 29 cm

Weight: 3,90 kg