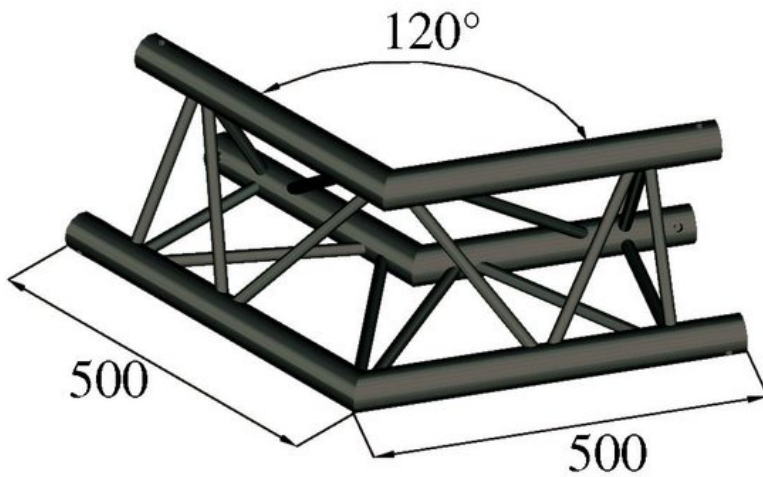


ALUTRUSS TRILOCK S-PAC 22 2-Way Corner 120°black

3-point truss system

Art. No.: 6030253J

GTIN: 4026397559705



List price: 255.85 €

incl. 19% VAT.

Features:

- Low weight
- Easy installation
- Trusspipe: 50 mm
- Made in Europe
- For application areas such as: Theater; Trade fair and shop fitting; Clubs/dancing school

Logistic

EAN / GTIN: 4026397559705
Weight: 4,50 kg
Length: 0.74 m
Width: 0.53 m
Height: 0.28 m

Technical specifications:

Setup:	Easy installation
Trusspipe:	50 mm x 2 mm
Color:	Black
Strut diameter x thickness:	16 x 2mm
Dimensions:	Length: 50 cm Width: 50 cm Height: 25,70 cm
Weight:	4,3 kg