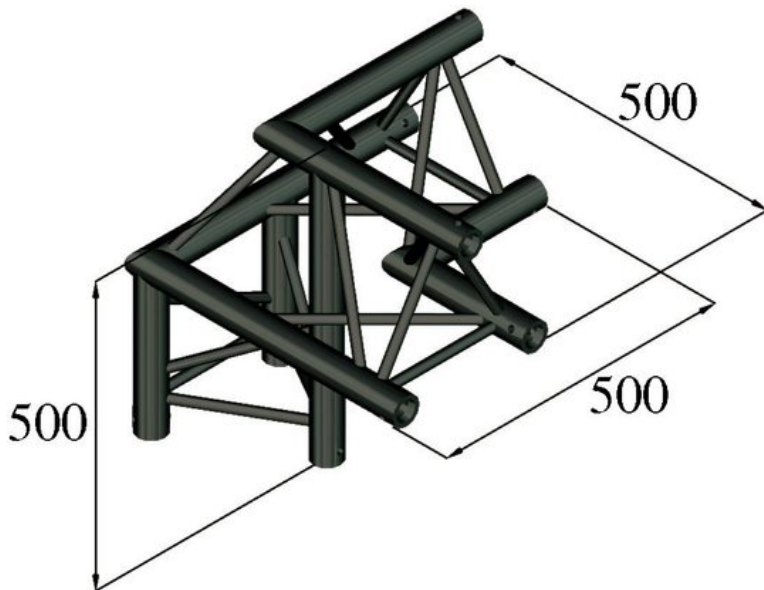


ALUTRUSS TRILOCK S-PAL-31 3-Way Corner Λ right

3-point truss system

Art. No.: 6030253N

GTIN: 4026397501209



List price: 355.81 €

incl. 19% VAT.

Features:

- Low weight
- Easy installation
- Trusspipe: 50 mm
- Made in Europe
- For application areas such as: Theater; Trade fair and shop fitting; Clubs/dancing school

Logistic

EAN / GTIN: 4026397501209

Weight: 7,60 kg

Length: 0.52 m

Width: 0.52 m

Height: 0.52 m

Technical specifications:

Setup: Easy installation

Trusspipe: 50 mm x 2 mm

Color: Black

Strut diameter x thickness: 16 x 2mm

Dimensions: Length: 50 cm
Width: 50 cm
Height: 50 cm

Weight: 6,35 kg