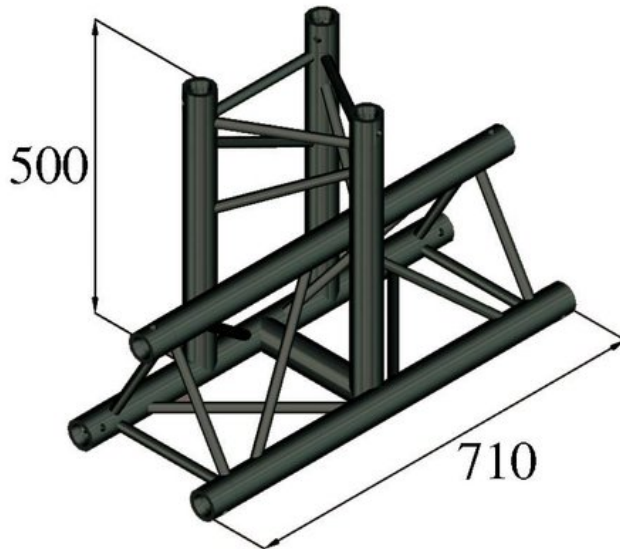


ALUTRUSS TRILOCK S-PAT-35 3-Way T-Piece

3-point truss system

Art. No.: 6030253T

GTIN: 4026397559576



List price: 355.81 €

incl. 19% VAT.

Features:

- Low weight
- Easy installation
- Trusspipe: 50 mm
- Made in Europe
- For application areas such as: Theater; Trade fair and shop fitting; Clubs/dancing school

Logistic

EAN / GTIN: 4026397559576

Weight: 6,80 kg

Length: 0.71 m

Width: 0.51 m

Height: 0.28 m

Technical specifications:

Setup: Easy installation

Trusspipe: 50 mm x 2 mm

Color: Black

Strut diameter x thickness: 16 x 2mm

Dimensions: Length: 71 cm
Width: 50 cm
Height: 29 cm

Weight: 6,4 kg