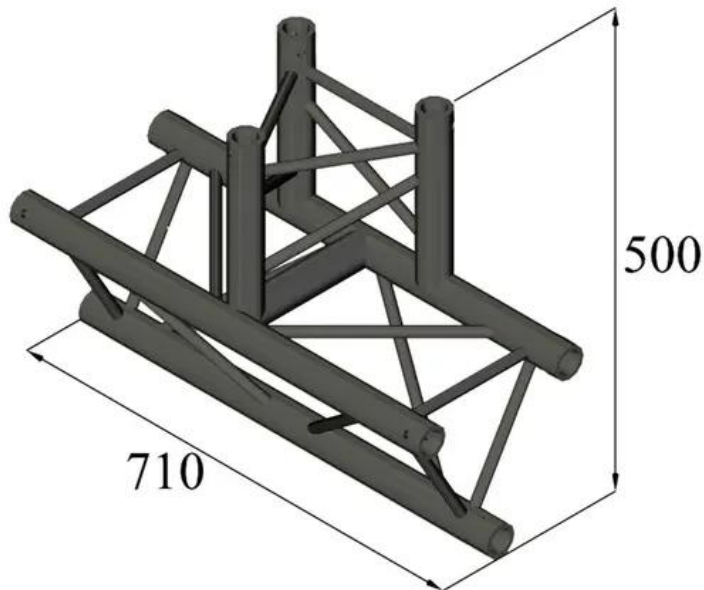


## ALUTRUSS TRILOCK S-PAT-38 3-way T-Piece

3-point truss system

Art. No.: 6030253W

GTIN: 4026397559569



### Features:

- Low weight
- Easy installation
- Trusspipe: 50 mm
- Made in Europe
- For application areas such as: Theater; Trade fair and shop fitting; clubs/dancing school

### Logistic

EAN / GTIN: 4026397559569  
 Weight: 6,30 kg  
 Length: 0.71 m  
 Width: 0.44 m  
 Height: 0.38 m

### Technical specifications:

Setup:	Easy installation
Trusspipe:	50 mm x 2 mm
Color:	Black
Strut diameter x thickness:	16 x 2mm
Dimensions:	Length: 71 cm Width: 50 cm Height: 25.70 cm
Weight:	6 kg

### Scope of delivery: