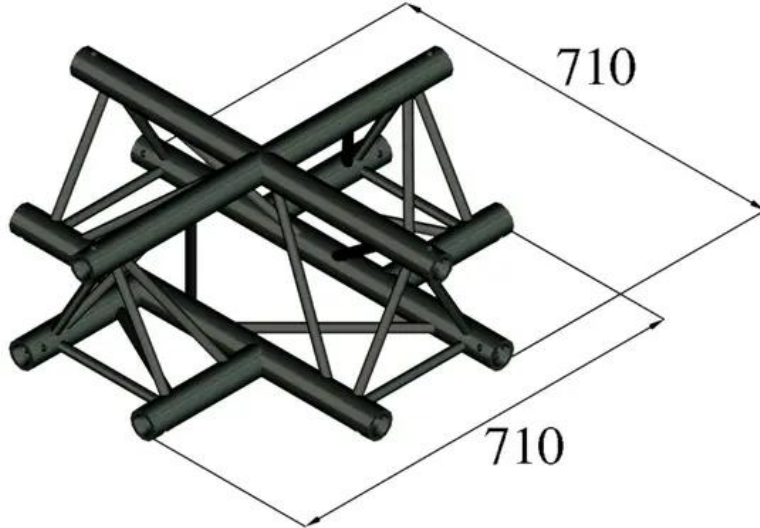


ALUTRUSS TRILOCK S-PAC-41 4-way Cross

3-point truss system

Art. No.: 6030253Y

GTIN: 4026397501261



Features:

- Low weight
- Easy installation
- Trusspipe: 50 mm
- Made in Europe
- For application areas such as: Theater; Trade fair and shop fitting; clubs/dancing school

Logistic

EAN / GTIN: 4026397501261

Weight: 0,85 kg

Length: 0.72 m

Width: 0.72 m

Heigh: 0.26 m

Technical specifications:

Setup: Easy installation

Trusspipe: 50 mm x 2 mm

Color: Black

Strut diameter x thickness: 16 x 2mm

Dimensions: Length: 71 cm
Width: 71 cm
Height: 25.70 cm

Weight: 0.75 kg

Scope of delivery: