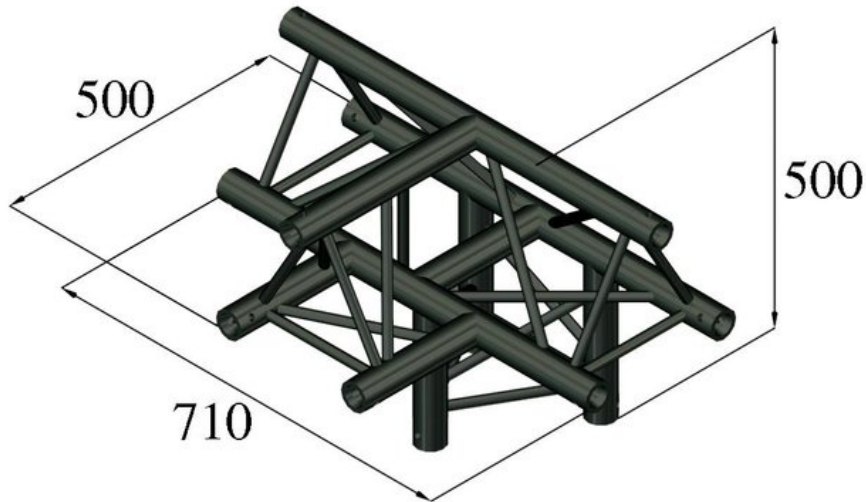


## ALUTRUSS TRILOCK S-PAT-43 4-Way Piece $\Lambda$

3-point truss system

Art. No.: 60302540

GTIN: 4026397559514



**List price: 510.51 €**

incl. 19% VAT.

### Features:

- Low weight
- Easy installation
- Trusspipe: 50 mm
- Made in Europe
- For application areas such as: Theater; Trade fair and shop fitting; Clubs/dancing school

### Logistic

EAN / GTIN: 4026397559514

Weight: 8,80 kg

Length: 0.71 m

Width: 0.50 m

Height: 0.70 m

Bulky product

### Technical specifications:

Setup: Easy installation

Trusspipe: 50 mm x 2 mm

Color: Black

Strut diameter x thickness: 16 x 2mm

Dimensions: Length: 71 cm

Width: 50 cm

Height: 50 cm

Weight: 8,00 kg