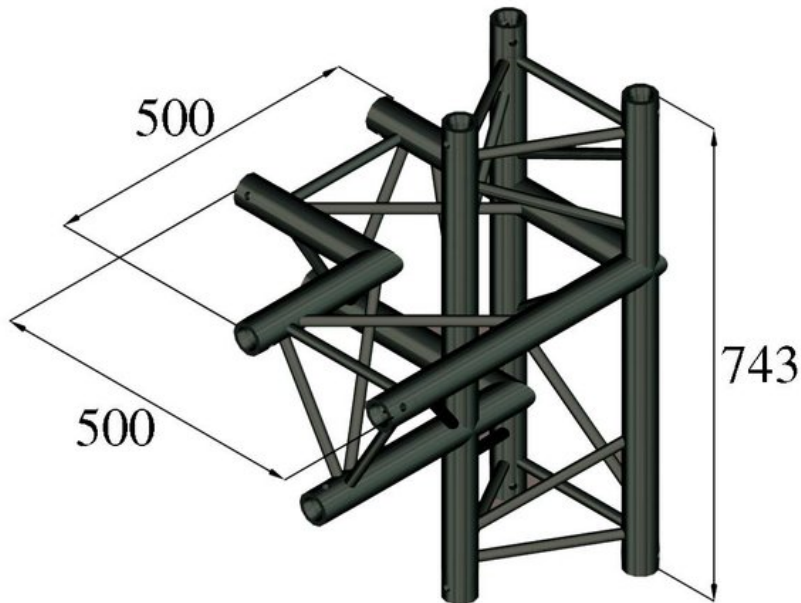


ALUTRUSS TRILOCK S-PAC-44 4-Way Piece V left

3-point truss system

Art. No.: 60302541

GTIN: 4026397559507



List price: 434.35 €

incl. 19% VAT.

Features:

- Low weight
- Easy installation
- Trusspipe: 50 mm
- Made in Europe
- For application areas such as: Theater; Trade fair and shop fitting; Clubs/dancing school

Logistic

EAN / GTIN: 4026397559507

Weight: 8,90 kg

Length: 0.75 m

Width: 0.51 m

Height: 0.50 m

Technical specifications:

Setup: Easy installation

Trusspipe: 50 mm x 2 mm

Color: Black

Strut diameter x thickness: 16 x 2mm

Dimensions: Length: 74,30 cm

Width: 50 cm

Height: 50 cm

Weight: 8,4 kg