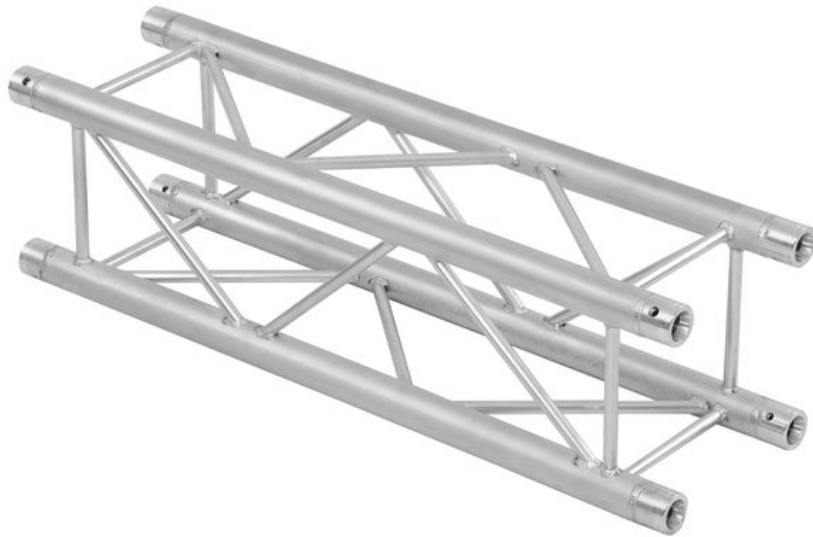


ALUTRUSS QUADLOCK QQTR-210 4-way cross beam 4-point truss system

Art. No.: 60302902

GTIN: 4026397164121



The article is no longer in our assortment.

Description:

QUADLOCK QQTR 4-point truss system

QUADLOCK QQTR is a 4-point truss system made of aluminum. The individual elements are connected via four cones, pivots and pins.

The advantage of the conical connection system is that the cones completely fit into the main chords so that highest load capacity is guaranteed. The Quick-Lock system enables fast, efficient and highly aesthetic assembly when the truss constructions are frequently assembled and dismantled.

The four main chords are made of 50 mm aluminum tube with 2 mm wall thickness and offer a good relation between strength and weight. The braces have a diameter of 16 mm with 2 mm wall thickness and leave enough space for installing couplers, hooks and clamps.

With 290 mm outer dimensions, QUADLOCK QQTR is a stable truss system for higher loads and extended durability. This system is mainly designed for intense use in stage installations, fair installations, event installations but also for permanent installations in discotheques and theatres.

Its polished surface makes this universal system a real eyecatcher. Due to its wide range of standard system lengths, corners, circles and accessory, this system is highly versatile and offers unlimited design possibilities.

The production of this truss system is TUV-monitored. The load table as calculation base can be downloaded from the Internet before buying the product!

Logistic

EAN / GTIN: 4026397164121

Weight: 3,30 kg

Length: 0.21 m

Width: 0.33 m

Height: 0.33 m

Features:

- High-quality aluminum-tubes with 50 mm in diameter
- Easy installation
- Low weight
- For exhibition and shop installers, discotheque and theatre installations
- For further information about this product, please refer to the Data Sheet under "Downloads"

Technical specifications:

Dimensions:	Length: 21 cm
	Width: 29 cm
	Depth: 29 cm
