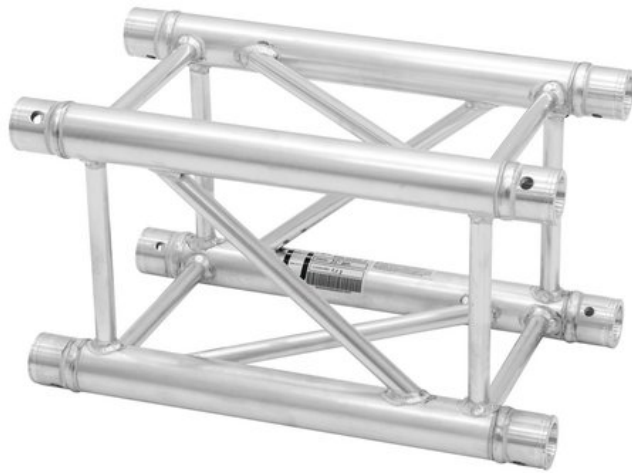


ALUTRUSS TOWERTRUSS TQTR-500 4-Way Cross Beam

4-point tower cross beam

Art. No.: 60304400

GTIN: 4026397199727



List price: 284.41 €

incl. 19% VAT.

Description:

TOWERTRUSS TQTR 4-point truss system

TOWERTRUSS TQTR is a 4-point truss system made of aluminum. The individual elements are connected via four cones, pivots and pins. TOWERTRUSS TQTR is made of EN-AW 6082 T6 (AlMgSi1 T6) alloy with 20 mm braces for high loads.

The advantage of the conical connection system is that the cones completely fit into the main chords so that highest load capacity is guaranteed. The Quick-Lock system enables fast, efficient and highly aesthetic assembly when the truss constructions are frequently assembled and dismantled.

The four main chords are made of 50 mm aluminum tube with 4 mm wall thickness and offer a good relation between strength and weight. The braces have a diameter of 20 mm with 2 mm wall thickness and leave enough space for installing couplers, hooks and clamps.

With 290 mm outer dimensions, TOWERTRUSS TQTR is a stable truss system for high loads and extended durability. This system is mainly designed for building the Tower System I and II and for intense use in stage installations, fair installations, event installations.

The production of this truss system is TUV-monitored. The load table as calculation base can be downloaded from the Internet before buying the product!

Please note: this truss system must never be combined with other systems!

Logistic

EAN / GTIN: 4026397199727

Weight: 6,50 kg

Length: 0.52 m

Width: 0.31 m

Height: 0.31 m

Features:

- For building ground supports
- Easy to assemble
- Trusspipe: 50 mm
- TÜV Süd certified
- For further information about this product, please refer to the Data Sheet under "Downloads"

Package contents

- 1 x connection Set

Technical specifications:

Setup:	Easy to assemble
Trusspipe:	50 mm x 4 mm
Welding technique:	TIG-welding
Welding material:	AlMg 5
Alloy:	AlMgSi 0.5
Color:	Alu colored
Dimensions:	Length: 50 cm Width: 29 cm Depth: 29 cm
Weight:	5,90 kg