

# eurolite®

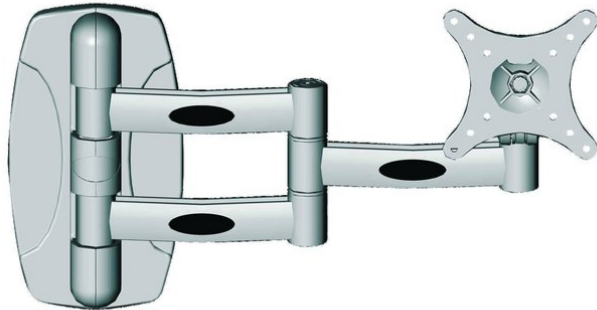
---

## Wall mount LCHS-32 f.10"-32" LCD monitors

Universal wall mount for LCD/plasma monitors

**Art. No.: 81012445**

GTIN: 4026397295542



**The article is no longer in our assortment.**

# eurolite®

---

## Wall mount LCHS-32 f.10"-32" LCD monitors

Universal wall mount for LCD/plasma monitors

**Art. No.: 81012445**

GTIN: 4026397295542

### Features:

---

- Universal LCD mount for screen sizes between 10-32"
- Universal use for all screens according to VESA standard
- Installation holes according to VESA standard: 50/75/100 mm
- Including adapter plate for VESA standard 200
- Easy wall mounting
- Swivel angle and inclination angle steplessly adjustable
- Including mounting hardware
- Including distance pieces for screens with convex backs
- Covered cable routing inside the plastic covers possible
- UL-certified