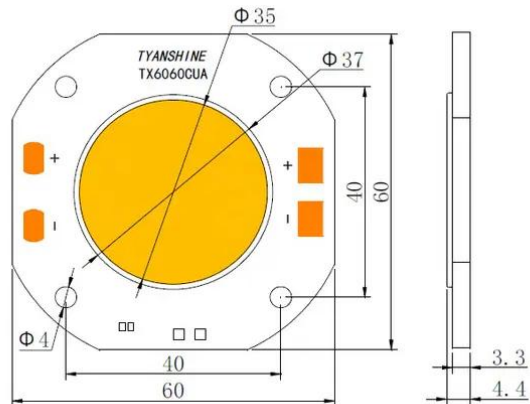

LED COB 250W 3000K LED PFE-250 3000K Profile Spot (TX-6060W250D180CUY)

Art. No.: E6510308
GTIN: 4026397654943



All rights reserved. Subject to change without notice. Errors and omissions excepted.
Illustration only. Actual item may differ from photo.

LED COB 250W 3000K LED PFE-250 3000K Profile Spot (TX-6060W250D180CUY)

Art. No.: E6510308
GTIN: 4026397654943

Features:

All rights reserved. Subject to change without notice. Errors and omissions excepted.
Illustration only. Actual item may differ from photo.